

Technical Data Overview

2

Nominal sizes

Inch: 1" / 1.5" / 2" / 2.5" / 3" / 4" / 6"
DIN: 25 / 40 / 50 / 65 / 80 / 100 / 150

Materials

Inox parts in contact with product: AISI 316L (1.4404 / 1.4435)
Other inox parts: AISI 304 (1.4301)
O-ring seals: EPDM, FKM (Viton®), FEP,
other grades upon request
Shutter: Dyneon™ TFM1600

Surfaces

In contact with product: Ra ≤ 32µin (Ra ≤ 0.8µm)

Temperature

Operating temperature: 230°F (110°C)
Short-term: 284°F (140°C)
– optionally up to 392°F (200°C)

Operating pressure

Pressure behind arc: 145 psi (10 bar)
– optionally up to 290.1 psi (20 bar)
Pressure against arc: 43.5 psi (3 bar)

Versions

2-way / 3-way

Operation

Manual: with handle (4 locking positions)
Pneumatic:
• Vertical pneumatic actuator (AISI 304)
• Horizontal pneumatic actuator
(aluminium housing)

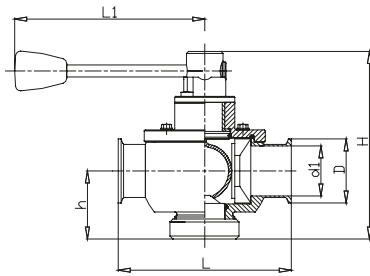
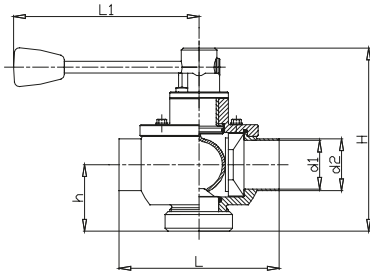
Valve connection

Clamp connection: Tri-Clamp
Welded ends: Inch, DIN
Male ends: DIN 11851

Further options / Certificates

- 4-way version
- Shutter material; alternatively glass-fiber reinforced, Teflon (GL25), Tecapeek®
- Heated version
- Leakage control of moving O-ring seal / steam barrier with ball-bearing supported selector shaft
- Combination of different types of connection
- Delivery and adaptation to actuators of different manufacture per Namur NE14 and DIN EN ISO5211
- EHEDG certified CIP/SIP capability (hygienic design)
- 3-A 51-01 and FDA compliance
- CRN

SHUTTER VALVES (ARC VALVES)



Inch

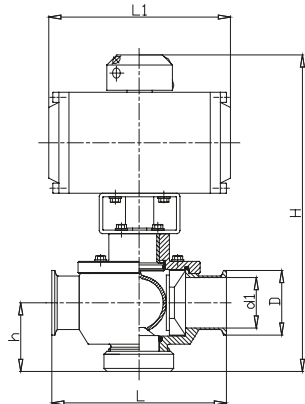
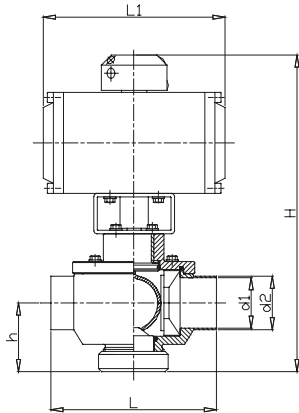
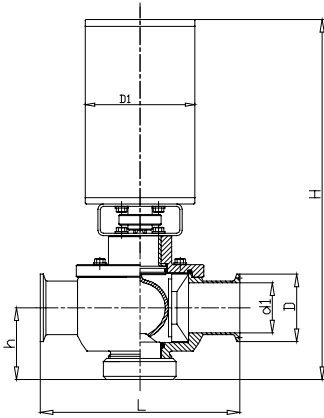
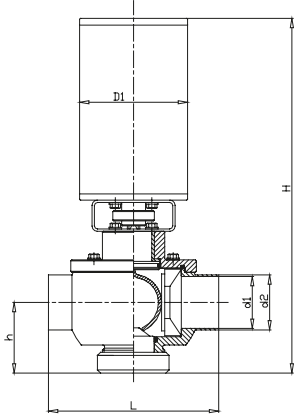
2-way shutter valve, manual, welded ends

VALVE SIZE inch (mm)	Type	Ø d1	Ø d2	H	h	L	L1
1.00 (25.4)	25C52M21	0.87 (22.1)	1.00 (25.4)	5.71 (145)	1.97 (50)	4.33 (110)	6.30 (160)
1.50 (38.1)	38C52M21	1.37 (34.8)	1.50 (38.1)	7.09 (180)	2.56 (65)	5.51 (140)	6.30 (160)
2.00 (50.8)	51C52M21	1.87 (47.5)	2.00 (50.8)	7.48 (190)	2.76 (70)	6.46 (164)	7.48 (190)
2.50 (63.5)	63C52M21	2.37 (60.2)	2.50 (63.5)	7.87 (200)	2.95 (75)	8.27 (210)	7.48 (190)
3.00 (76.2)	76C52M21	2.87 (72.9)	3.00 (76.2)	8.46 (215)	3.15 (80)	8.66 (220)	7.48 (190)
4.00 (101.6)	102C52M21	3.83 (97.4)	4.00 (101.6)	10.43 (265)	4.33 (110)	12.20 (310)	10.63 (270)
6.00 (152.4)	152C52M	5.78 (146.9)	6.00 (152.4)	13.58 (345)	5.51 (140)	19.69 (500)	10.63 (270)

2-way shutter valve, manual, TC-clamp

VALVE SIZE inch (mm)	Type	Ø d1	Ø D	H	h	L	L1
1.00 (25.4)	25C520M21	0.87 (22.1)	1.99 (50.5)	5.71 (145)	1.97 (50)	5.31 (135)	6.30 (160)
1.50 (38.1)	38C520M21	1.37 (34.8)	1.99 (50.5)	7.09 (180)	2.56 (65)	6.50 (165)	6.30 (160)
2.00 (50.8)	51C520M21	1.87 (47.5)	2.52 (64.0)	7.48 (190)	2.76 (70)	7.44 (189)	7.48 (190)
2.50 (63.5)	63C520M21	2.37 (60.2)	3.05 (77.5)	7.87 (200)	2.95 (75)	9.25 (235)	7.48 (190)
3.00 (76.2)	76C520M21	2.87 (72.9)	3.58 (91.0)	8.46 (215)	3.15 (80)	9.65 (245)	7.48 (190)
4.00 (101.6)	102C520M21	3.83 (97.4)	4.68 (119.0)	10.43 (265)	4.33 (110)	13.19 (335)	10.63 (270)
6.00 (152.4)	152C520M	5.78 (146.9)	6.57 (167.0)	13.58 (345)	5.51 (140)	19.69 (500)	10.63 (270)

SHUTTER VALVES (ARC VALVES)



Inch

2-way shutter valve, pneumatic (air/air - air/spring), welded ends

VALVE SIZE inch (mm)	Type	Ø d1	Ø d2	H	h	L	Ø D1
1.00 (25.4)	25C52A21	0.87 (22.1)	1.00 (25.4)	11.81 (300)	1.97 (50)	4.33 (110)	3.50 (89)
1.50 (38.1)	38C52A21	1.37 (34.8)	1.50 (38.1)	13.19 (335)	2.56 (65)	5.51 (140)	3.50 (89)
2.00 (50.8)	51C52A21	1.87 (47.5)	2.00 (50.8)	13.39 (340)	2.76 (70)	6.46 (164)	4.09 (104)
2.50 (63.5)	63C52A21	2.37 (60.2)	2.50 (63.5)	13.98 (355)	2.95 (75)	8.27 (210)	4.09 (104)
3.00 (76.2)	76C52A21	2.87 (72.9)	3.00 (76.2)	16.61 (422)	3.15 (80)	8.66 (220)	5.08 (129)
4.00 (101.6)	102C52A21	3.83 (97.4)	4.00 (101.6)	18.66 (474)	4.33 (110)	12.20 (310)	5.08 (129)

2-way shutter valve, pneumatic (air/air - air/spring), TC-clamp

VALVE SIZE inch (mm)	Type	Ø d1	Ø D	H	h	L	Ø D1
1.00 (25.4)	25C520A21	0.87 (22.1)	1.99 (50.5)	11.81 (300)	1.97 (50)	5.31 (135)	3.50 (89)
1.50 (38.1)	38C520A21	1.37 (34.8)	1.99 (50.5)	13.19 (335)	2.56 (65)	6.50 (165)	3.50 (89)
2.00 (50.8)	51C520A21	1.87 (47.5)	2.52 (64.0)	13.39 (340)	2.76 (70)	7.44 (189)	4.09 (104)
2.50 (63.5)	63C520A21	2.37 (60.2)	3.05 (77.5)	13.98 (355)	2.95 (75)	9.25 (235)	4.09 (104)
3.00 (76.2)	76C520A21	2.87 (72.9)	3.58 (91.0)	16.61 (422)	3.15 (80)	9.65 (245)	5.08 (129)
4.00 (101.6)	102C520A21	3.83 (97.4)	4.68 (119.0)	18.66 (474)	4.33 (110)	13.19 (335)	5.08 (129)

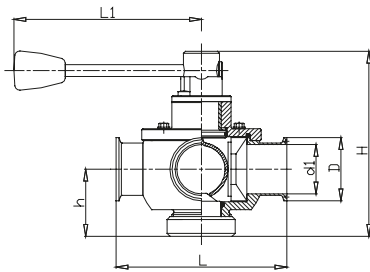
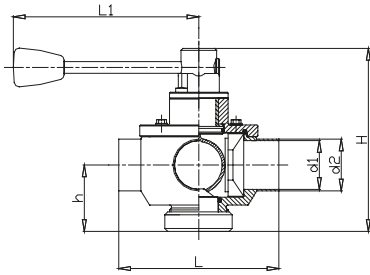
2-way shutter valve, pneumatic (air/air - air/spring), welded ends

VALVE SIZE inch (mm)	Type	Ø d1	Ø d2	H	h	L	L1
1.00 (25.4)	25C52Ab21	0.87 (22.1)	1.00 (25.4)	11.30 (287)	1.97 (50)	4.33 (110)	6.34 (161)
1.50 (38.1)	38C52Ab21	1.37 (34.8)	1.50 (38.1)	12.60 (320)	2.56 (65)	5.51 (140)	6.34 (161)
2.00 (50.8)	51C52Ab21	1.87 (47.5)	2.00 (50.8)	12.91 (328)	2.76 (70)	6.46 (164)	6.34 (161)
2.50 (63.5)	63C52Ab21	2.37 (60.2)	2.50 (63.5)	13.46 (342)	2.95 (75)	8.27 (210)	6.34 (161)
3.00 (76.2)	76C52Ab21	2.87 (72.9)	3.00 (76.2)	14.57 (370)	3.15 (80)	8.66 (220)	8.23 (209)
4.00 (101.6)	102C52Ab21	3.83 (97.4)	4.00 (101.6)	16.65 (423)	4.33 (110)	12.20 (310)	8.23 (209)
6.00 (152.4)	152C52Ab	5.78 (146.9)	6.00 (152.4)	21.26 (540)	5.51 (140)	19.69 (500)	13.11 (333)

2-way shutter valve, pneumatic (air/air - air/spring), TC-clamp

VALVE SIZE inch (mm)	Type	Ø d1	Ø D	H	h	L	L1
1.00 (25.4)	25C520Ab21	0.87 (22.1)	1.99 (50.5)	11.30 (287)	1.97 (50)	5.31 (135)	6.34 (161)
1.50 (38.1)	38C520Ab21	1.37 (34.8)	1.99 (50.5)	12.60 (320)	2.56 (65)	6.50 (165)	6.34 (161)
2.00 (50.8)	51C520Ab21	1.87 (47.5)	2.52 (64.0)	12.91 (328)	2.76 (70)	7.44 (189)	6.34 (161)
2.50 (63.5)	63C520Ab21	2.37 (60.2)	3.05 (77.5)	13.46 (342)	2.95 (75)	9.25 (235)	6.34 (161)
3.00 (76.2)	76C520Ab21	2.87 (72.9)	3.58 (91.0)	14.57 (370)	3.15 (80)	9.65 (245)	8.23 (209)
4.00 (101.6)	102C520Ab21	3.83 (97.4)	4.68 (119.0)	16.65 (423)	4.33 (110)	13.19 (335)	8.23 (209)
6.00 (152.4)	152C520Ab	5.78 (146.9)	6.57 (167.0)	21.26 (540)	5.51 (140)	19.69 (500)	13.11 (333)

SHUTTER VALVES (ARC VALVES)



Inch

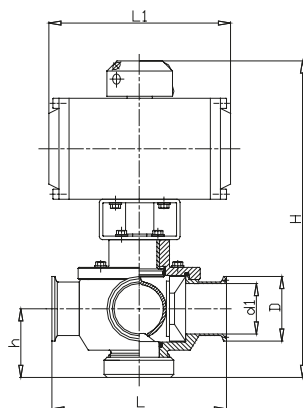
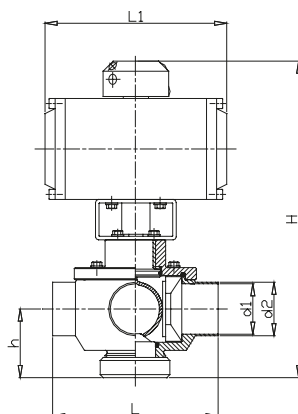
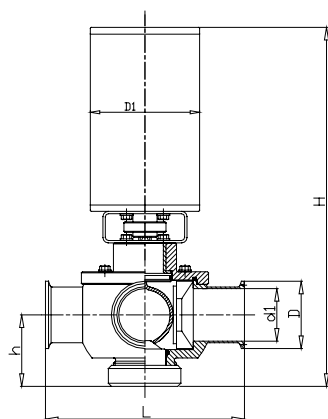
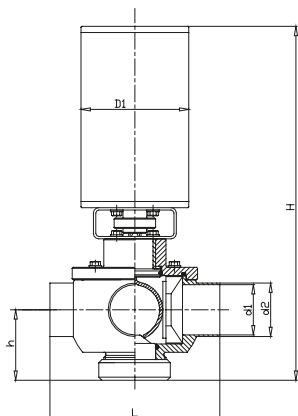
3-way shutter valve, manual, welded ends

VALVE SIZE inch (mm)	Type	Ø d1	Ø d2	H	h	L	L1
1.00 (25.4)	25C53M21	0.87 (22.1)	1.00 (25.4)	5.71 (145)	1.97 (50)	4.33 (110)	6.30 (160)
1.50 (38.1)	38C53M21	1.37 (34.8)	1.50 (38.1)	7.09 (180)	2.56 (65)	5.51 (140)	6.30 (160)
2.00 (50.8)	51C53M21	1.87 (47.5)	2.00 (50.8)	7.48 (190)	2.76 (70)	6.46 (164)	7.48 (190)
2.50 (63.5)	63C53M21	2.37 (60.2)	2.50 (63.5)	7.87 (200)	2.95 (75)	8.27 (210)	7.48 (190)
3.00 (76.2)	76C53M21	2.87 (72.9)	3.00 (76.2)	8.46 (215)	3.15 (80)	8.66 (220)	7.48 (190)
4.00 (101.6)	102C53M21	3.83 (97.4)	4.00 (101.6)	10.43 (265)	4.33 (110)	12.20 (310)	10.63 (270)
6.00 (152.4)	152C53M	5.78 (146.9)	6.00 (152.4)	13.58 (345)	5.51 (140)	19.69 (500)	10.63 (270)

3-way shutter valve, manual, TC-clamp

VALVE SIZE inch (mm)	Type	Ø d1	Ø D	H	h	L	L1
1.00 (25.4)	25C530M21	0.87 (22.1)	1.99 (50.5)	5.71 (145)	1.97 (50)	5.31 (135)	6.30 (160)
1.50 (38.1)	38C530M21	1.37 (34.8)	1.99 (50.5)	7.09 (180)	2.56 (65)	6.50 (165)	6.30 (160)
2.00 (50.8)	51C530M21	1.87 (47.5)	2.52 (64.0)	7.48 (190)	2.76 (70)	7.44 (189)	7.48 (190)
2.50 (63.5)	63C530M21	2.37 (60.2)	3.05 (77.5)	7.87 (200)	2.95 (75)	9.25 (235)	7.48 (190)
3.00 (76.2)	76C530M21	2.87 (72.9)	3.58 (91.0)	8.46 (215)	3.15 (80)	9.65 (245)	7.48 (190)
4.00 (101.6)	102C530M21	3.83 (97.4)	4.68 (119.0)	10.43 (265)	4.33 (110)	13.19 (335)	10.63 (270)
6.00 (152.4)	152C530M	5.78 (146.9)	6.57 (167.0)	13.58 (345)	5.51 (140)	19.69 (500)	10.63 (270)

SHUTTER VALVES (ARC VALVES)



Inch

3-way shutter valve, pneumatic (air/air - air/spring), welded ends

VALVE SIZE inch (mm)	Type	Ø d1	Ø d2	H	h	L	Ø D1
1.00 (25.4)	25C53A21	0.87 (22.1)	1.00 (25.4)	11.81 (300)	1.97 (50)	4.33 (110)	3.50 (89)
1.50 (38.1)	38C53A21	1.37 (34.8)	1.50 (38.1)	13.19 (335)	2.56 (65)	5.51 (140)	3.50 (89)
2.00 (50.8)	51C53A21	1.87 (47.5)	2.00 (50.8)	13.39 (340)	2.76 (70)	6.46 (164)	4.09 (104)
2.50 (63.5)	63C53A21	2.37 (60.2)	2.50 (63.5)	13.98 (355)	2.95 (75)	8.27 (210)	4.09 (104)
3.00 (76.2)	76C53A21	2.87 (72.9)	3.00 (76.2)	16.61 (422)	3.15 (80)	8.66 (220)	5.08 (129)
4.00 (101.6)	102C53A21	3.83 (97.4)	4.00 (101.6)	18.66 (474)	4.33 (110)	12.20 (310)	5.08 (129)

3-way shutter valve, pneumatic (air/air - air/spring), TC-clamp

VALVE SIZE inch (mm)	Type	Ø d1	Ø D	H	h	L	Ø D1
1.00 (25.4)	25C530A21	0.87 (22.1)	1.99 (50.5)	11.81 (300)	1.97 (50)	5.31 (135)	3.50 (89)
1.50 (38.1)	38C530A21	1.37 (34.8)	1.99 (50.5)	13.19 (335)	2.56 (65)	6.50 (165)	3.50 (89)
2.00 (50.8)	51C530A21	1.87 (47.5)	2.52 (64.0)	13.39 (340)	2.76 (70)	7.44 (189)	4.09 (104)
2.50 (63.5)	63C530A21	2.37 (60.2)	3.05 (77.5)	13.98 (355)	2.95 (75)	9.25 (235)	4.09 (104)
3.00 (76.2)	76C530A21	2.87 (72.9)	3.58 (91.0)	16.61 (422)	3.15 (80)	9.65 (245)	5.08 (129)
4.00 (101.6)	102C530A21	3.83 (97.4)	4.68 (119.0)	18.66 (474)	4.33 (110)	13.19 (335)	5.08 (129)

3-way shutter valve, pneumatic (air/air - air/spring), welded ends

VALVE SIZE inch (mm)	Type	Ø d1	Ø d2	H	h	L	L1
1.00 (25.4)	25C53Ab21	0.87 (22.1)	1.00 (25.4)	11.30 (287)	1.97 (50)	4.33 (110)	6.34 (161)
1.50 (38.1)	38C53Ab21	1.37 (34.8)	1.50 (38.1)	12.60 (320)	2.56 (65)	5.51 (140)	6.34 (161)
2.00 (50.8)	51C53Ab21	1.87 (47.5)	2.00 (50.8)	12.91 (328)	2.76 (70)	6.46 (164)	6.34 (161)
2.50 (63.5)	63C53Ab21	2.37 (60.2)	2.50 (63.5)	13.46 (342)	2.95 (75)	8.27 (210)	6.34 (161)
3.00 (76.2)	76C53Ab21	2.87 (72.9)	3.00 (76.2)	14.57 (370)	3.15 (80)	8.66 (220)	8.23 (209)
4.00 (101.6)	102C53Ab21	3.83 (97.4)	4.00 (101.6)	16.65 (423)	4.33 (110)	12.20 (310)	8.23 (209)
6.00 (152.4)	152C53Ab	5.78 (146.9)	6.00 (152.4)	21.26 (540)	5.51 (140)	19.69 (500)	13.11 (333)

3-way shutter valve, pneumatic (air/air - air/spring), TC-clamp

VALVE SIZE inch (mm)	Type	Ø d1	Ø D	H	h	L	L1
1.00 (25.4)	25C530Ab21	0.87 (22.1)	1.99 (50.5)	11.30 (287)	1.97 (50)	5.31 (135)	6.34 (161)
1.50 (38.1)	38C530Ab21	1.37 (34.8)	1.99 (50.5)	12.60 (320)	2.56 (65)	6.50 (165)	6.34 (161)
2.00 (50.8)	51C530Ab21	1.87 (47.5)	2.52 (64.0)	12.91 (328)	2.76 (70)	7.44 (189)	6.34 (161)
2.50 (63.5)	63C530Ab21	2.37 (60.2)	3.05 (77.5)	13.46 (342)	2.95 (75)	9.25 (235)	6.34 (161)
3.00 (76.2)	76C530Ab21	2.87 (72.9)	3.58 (91.0)	14.57 (370)	3.15 (80)	9.65 (245)	8.23 (209)
4.00 (101.6)	102C530Ab21	3.83 (97.4)	4.68 (119.0)	16.65 (423)	4.33 (110)	13.19 (335)	8.23 (209)
6.00 (152.4)	152C530Ab	5.78 (146.9)	6.57 (167.0)	21.26 (540)	5.51 (140)	19.69 (500)	13.11 (333)