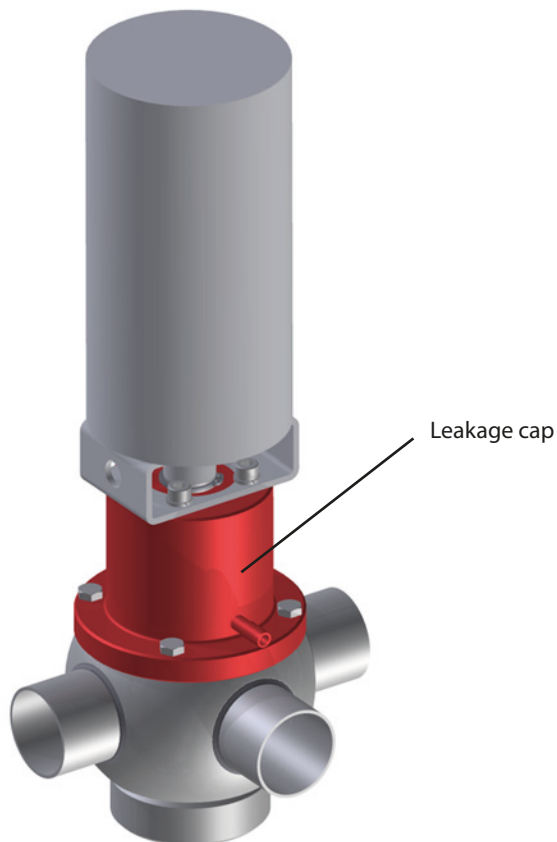
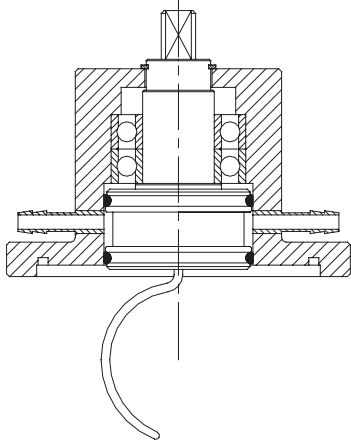


Technical Data Overview

Leakage cap	
Nominal sizes	
Inch:	1.5" / 2" / 2.5" / 3"
DIN:	40 / 50 / 65 / 80
Materials	
Inox parts in contact with product:	AISI 316L (1.4404 / 1.4435)
Other inox parts:	AISI304(1.4301)
O-ring seals:	EPDM, FKM (Viton®), FEP, other grades upon request
Surfaces	
In contact with product:	Ra ≤ 32µin (Ra ≤ 0.8µm)
Temperature	
Operating temperature:	230°F (110°C)
Short-term:	284°F (140°C) - Optionally up to 392°F (200°C)



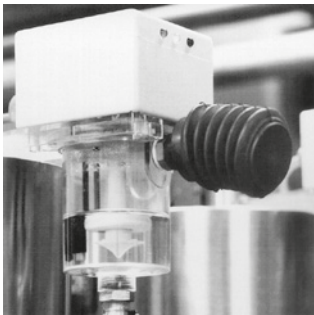


Leakage cap with ball bearing supported selector shaft and leakage control of the moving O-ring seal

VALVE SIZE inch (mm)	Type
1.50 (38.1)	38-40SD510
2.00 (50.8)	50-51SD510
2.50 (63.5)	63S510
3.00 (76.2)	65-76SD510

Grooved ball bearing for leakage cap

VALVE SIZE inch (mm)	Type
1.50 (38.1)	38-80SD509
2.00 (50.8)	38-80SD509
2.50 (63.5)	38-80SD509
3.00 (76.2)	38-80SD509



Electronic monitoring system AVU (level and conductance value control) for leakage control of the moving O-ring seal, 24V DC

VALVE SIZE inch (mm)	Type
1.50 (38.1)	38-80AVU
2.00 (50.8)	38-80AVU
2.50 (63.5)	38-80AVU
3.00 (76.2)	38-80AVU