

FLUSH BOTTOM TANK OUTLET VALVE

Inch

2-way tank outlet valve series 22, manual, flush bottom / welded end

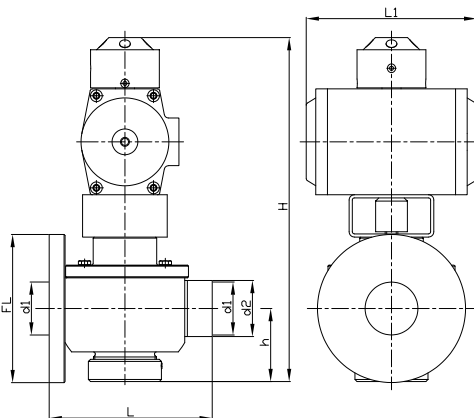
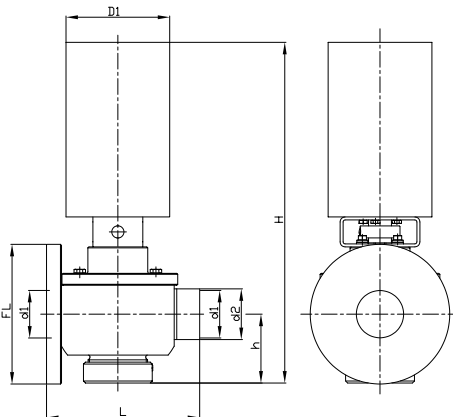
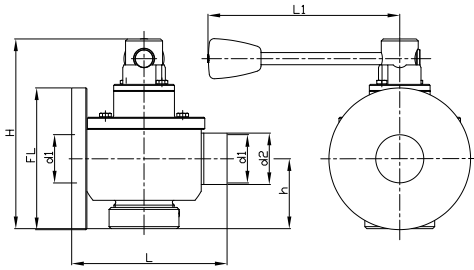
VALVE SIZE inch (mm)	Type	Ød1	Ød2	ØFL	H	h	L	L1
1.00 (25.4)	25CT52M22	0.87 (22.2)	1.00 (25.4)	5.51 (140)	5.71 (145)	1.97 (50)	4.25 (108)	6.30 (160)
1.50 (38.1)	38CT52M22	1.37 (34.9)	1.5 (38.1)	5.51 (140)	7.09 (180)	2.56 (65)	5.20 (132)	6.30 (160)
2.00 (50.8)	51CT52M22	1.87 (47.5)	2.00 (50.8)	5.51 (140)	7.48 (190)	2.76 (70)	6.06 (154)	7.48 (190)
2.50 (63.5)	63CT52M22	2.37 (60.2)	2.50 (63.5)	5.51 (140)	7.87 (200)	2.95 (75)	7.28 (185)	7.48 (190)
3.00 (76.2)	76CT52M22	2.87 (72.9)	3.00 (76.2)	5.51 (140)	8.45 (215)	3.15 (80)	7.80 (198)	7.48 (190)
4.00 (101.6)	102CT52M22	3.83 (97.4)	4.00 (101.6)	5.51 (140)	10.43 (265)	4.33 (110)	9.72 (247)	10.63 (270)

2-way tank outlet valve series 22, pneumatic, flush bottom / welded end

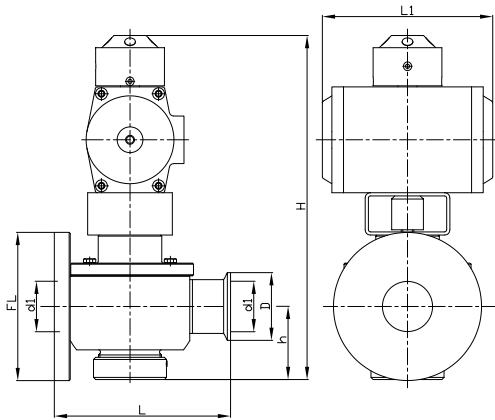
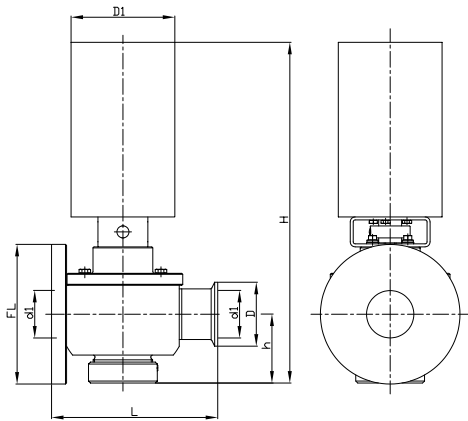
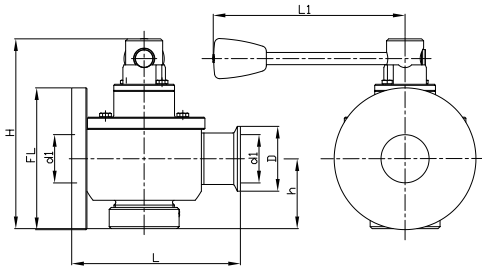
VALVE SIZE inch (mm)	Type	Ød1	Ød2	ØFL	H	h	L	ØD1
1.00 (25.4)	25CT52A22	0.87 (22.2)	1.00 (25.4)	5.51 (140)	11.81 (300)	1.97 (50)	4.25 (108)	3.50 (89)
1.50 (38.1)	38CT52A22	1.37 (34.9)	1.5 (38.1)	5.51 (140)	13.19 (335)	2.56 (65)	5.20 (132)	3.50 (89)
2.00 (50.8)	51CT52A22	1.87 (47.5)	2.00 (50.8)	5.51 (140)	13.39 (340)	2.76 (70)	6.06 (154)	4.10 (104)
2.50 (63.5)	63CT52A22	2.37 (60.2)	2.50 (63.5)	5.51 (140)	13.98 (355)	2.95 (75)	7.28 (185)	4.10 (104)
3.00 (76.2)	76CT52A22	2.87 (72.9)	3.00 (76.2)	5.51 (140)	16.61 (422)	3.15 (80)	7.80 (198)	5.08 (129)
4.00 (101.6)	102CT52A22	3.83 (97.4)	4.00 (101.6)	5.51 (140)	18.66 (474)	4.33 (110)	9.72 (247)	5.08 (129)

2-way tank outlet valve series 22, pneumatic, flush bottom / welded end

VALVE SIZE inch (mm)	Type	Ød1	Ød2	ØFL	H	h	L	L1
1.00 (25.4)	25CT52Ab22	0.87 (22.2)	1.00 (25.4)	5.51 (140)	11.30 (287)	1.97 (50)	4.25 (108)	6.34 (161)
1.50 (38.1)	38CT52Ab22	1.37 (34.9)	1.5 (38.1)	5.51 (140)	12.60 (320)	2.56 (65)	5.20 (132)	6.34 (161)
2.00 (50.8)	51CT52Ab22	1.87 (47.5)	2.00 (50.8)	5.51 (140)	12.91 (328)	2.76 (70)	6.06 (154)	6.34 (161)
2.50 (63.5)	63CT52Ab22	2.37 (60.2)	2.50 (63.5)	5.51 (140)	13.46 (342)	2.95 (75)	7.28 (185)	6.34 (161)
3.00 (76.2)	76CT52Ab22	2.87 (72.9)	3.00 (76.2)	5.51 (140)	14.57 (370)	3.15 (80)	7.80 (198)	8.23 (209)
4.00 (101.6)	102CT52Ab22	3.83 (97.4)	4.00 (101.6)	5.51 (140)	16.65 (423)	4.33 (110)	9.72 (247)	8.23 (209)



FLUSH BOTTOM TANK OUTLET VALVE



Inch

2-way tank outlet valve series 22, manual, flush bottom / TC-Clamp

VALVE SIZE inch (mm)	Type	Ød1	ØD	ØFL	H	h	L	L1
1.00 (25.4)	25CT520M22	0.87 (22.2)	19.88 (50.5)	5.51 (140)	5.71 (145)	1.97 (50)	4.76 (121)	6.30 (160)
1.50 (38.1)	38CT520M22	1.37 (34.9)	19.88 (50.5)	5.51 (140)	7.09 (180)	2.56 (65)	5.71 (145)	6.30 (160)
2.00 (50.8)	51CT520M22	1.87 (47.5)	2.52 (64.0)	5.51 (140)	7.48 (190)	2.76 (70)	6.57 (167)	7.48 (190)
2.50 (63.5)	63CT520M22	2.37 (60.2)	3.05 (77.5)	5.51 (140)	7.87 (200)	2.95 (75)	7.80 (198)	7.48 (190)
3.00 (76.2)	76CT520M22	2.87 (72.9)	3.58 (91)	5.51 (140)	8.45 (215)	3.15 (80)	8.31 (211)	7.48 (190)
4.00 (101.6)	102CT520M22	3.83 (97.4)	4.68 (119)	5.51 (140)	10.43 (265)	4.33 (110)	10.24 (260)	10.63 (270)

2-way tank outlet valve series 22, pneumatic, flush bottom / TC-Clamp

VALVE SIZE inch (mm)	Type	Ød1	ØD	ØFL	H	h	L	ØD1
1.00 (25.4)	25CT520A22	0.87 (22.2)	19.88 (50.5)	5.51 (140)	11.81 (300)	1.97 (50)	4.76 (121)	3.50 (89)
1.50 (38.1)	38CT520A22	1.37 (34.9)	19.88 (50.5)	5.51 (140)	13.19 (335)	2.56 (65)	5.71 (145)	3.50 (89)
2.00 (50.8)	51CT520A22	1.87 (47.5)	2.52 (64.0)	5.51 (140)	13.39 (340)	2.76 (70)	6.57 (167)	4.10 (104)
2.50 (63.5)	63CT520A22	2.37 (60.2)	3.05 (77.5)	5.51 (140)	13.98 (355)	2.95 (75)	7.80 (198)	4.10 (104)
3.00 (76.2)	76CT520A22	2.87 (72.9)	3.58 (91)	5.51 (140)	16.61 (422)	3.15 (80)	8.31 (211)	5.08 (129)
4.00 (101.6)	102CT520A22	3.83 (97.4)	4.68 (119)	5.51 (140)	18.66 (474)	4.33 (110)	10.24 (260)	5.08 (129)

2-way tank outlet valve series 22, pneumatic, flush bottom / TC-Clamp

VALVE SIZE inch (mm)	Type	Ød1	ØD	ØFL	H	h	L	L1
1.00 (25.4)	25CT520Ab22	0.87 (22.2)	19.88 (50.5)	5.51 (140)	11.30 (287)	1.97 (50)	4.76 (121)	6.34 (161)
1.50 (38.1)	38CT520Ab22	1.37 (34.9)	19.88 (50.5)	5.51 (140)	12.60 (320)	2.56 (65)	5.71 (145)	6.34 (161)
2.00 (50.8)	51CT520Ab22	1.87 (47.5)	2.52 (64.0)	5.51 (140)	12.91 (328)	2.76 (70)	6.57 (167)	6.34 (161)
2.50 (63.5)	63CT520Ab22	2.37 (60.2)	3.05 (77.5)	5.51 (140)	13.46 (342)	2.95 (75)	7.80 (198)	6.34 (161)
3.00 (76.2)	76CT520Ab22	2.87 (72.9)	3.58 (91)	5.51 (140)	14.57 (370)	3.15 (80)	8.31 (211)	8.23 (209)
4.00 (101.6)	102CT520Ab22	3.83 (97.4)	4.68 (119)	5.51 (140)	16.65 (423)	4.33 (110)	10.24 (260)	8.23 (209)