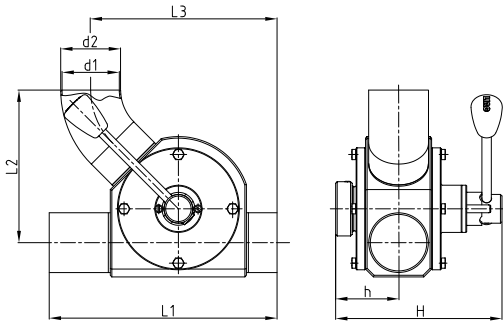


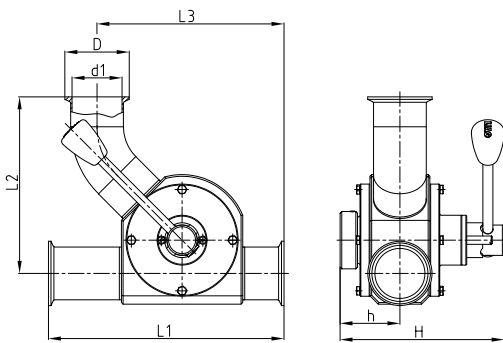
VENTURI VALVE

Inch



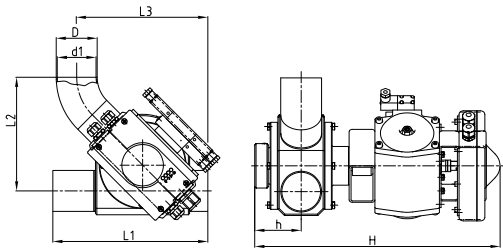
Venturi arc valve, manual, welded ends

VALVE SIZE inch (mm)	Type	Ød1	Ød2	H	h	L1	L2	L3
1.50 (38.1)	38CY53M19	1.37 (34.8)	1.50 (38.1)	7.13 (181)	2.60 (66)	6.14 (156)	4.69 (119)	5.71 (145)
2.00 (50.8)	51CY53M19	1.87 (47.5)	2.00 (50.8)	7.36 (187)	2.72 (69)	7.52 (191)	5.75 (146)	6.73 (171)
2.50 (63.5)	63CY53M19	2.37 (60.2)	2.50 (63.5)	7.07 (198)	2.83 (72)	8.98 (228)	6.93 (176)	8.50 (216)
3.00 (76.2)	76CY53M19	2.87 (72.9)	3.00 (76.2)	8.31 (211)	3.15 (80)	9.76 (248)	7.64 (194)	9.29 (236)
4.00 (101.6)	102CY53M19	3.83 (97.4)	4.00 (101.6)	10.16 (258)	4.06 (103)	13.86 (352)	9.09 (231)	11.46 (291)



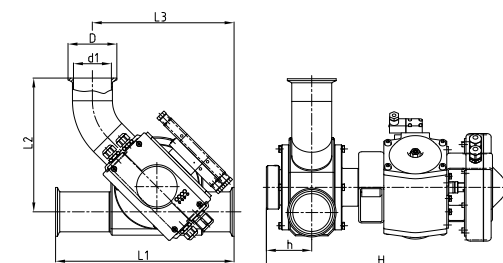
Venturi arc valve, manual, TC-clamp

VALVE SIZE inch (mm)	Type	Ød1	ØD	H	h	L1	L2	L3
1.50 (38.1)	38CY530M19	1.37 (34.8)	1.99 (50.5)	7.13 (181)	2.60 (66)	6.22 (158)	5.51 (140)	5.75 (146)
2.00 (50.8)	51CY530M19	1.87 (47.5)	2.52 (64)	7.36 (187)	2.72 (69)	8.86 (225)	6.34 (161)	7.40 (188)
2.50 (63.5)	63CY530M19	2.37 (60.2)	3.05 (77.5)	7.07 (198)	2.83 (72)	11.14 (283)	8.39 (213)	8.86 (225)
3.00 (76.2)	76CY530M19	2.87 (72.9)	3.58 (91)	8.31 (211)	3.15 (80)	12.01 (305)	8.46 (215)	9.65 (245)
4.00 (101.6)	102CY530M19	3.83 (97.4)	4.66 (119)	10.16 (258)	4.06 (103)	15.56 (395)	9.96 (253)	12.32 (313)



Venturi control arc valve, (air/air - air/spring), welded ends

VALVE SIZE inch (mm)	Type	Ød1	ØD	H	h	L1	L2	L3
1.50 (38.1)	38CY53AbC19	1.37 (34.8)	1.50 (38.1)	14.37 (365)	2.60 (66)	6.14 (156)	4.69 (119)	5.71 (145)
2.00 (50.8)	51CY53AbC19	1.87 (47.5)	2.00 (50.8)	14.61 (371)	2.72 (69)	7.52 (191)	5.47 (139)	6.97 (177)
2.50 (63.5)	63CY53AbC19	2.37 (60.2)	2.50 (63.5)	15.00 (381)	2.83 (72)	8.98 (228)	6.93 (176)	8.50 (216)
3.00 (76.2)	76CY53AbC19	2.87 (72.9)	3.00 (76.2)	16.22 (412)	3.15 (80)	9.76 (248)	7.64 (194)	9.29 (236)
4.00 (101.6)	102CY53AbC19	3.83 (97.4)	4.00 (101.6)	18.94 (481)	4.06 (103)	13.86 (352)	9.09 (231)	11.46 (291)



Venturi control arc valve, (air/air - air/spring), TC-clamp

VALVE SIZE inch (mm)	Type	Ød1	ØD	H	h	L1	L2	L3
1.50 (38.1)	38CY530AbC19	1.37 (34.8)	1.99 (50.5)	14.37 (365)	2.60 (66)	6.22 (158)	5.51 (140)	5.75 (146)
2.00 (50.8)	51CY530AbC19	1.87 (47.5)	2.52 (64)	14.61 (371)	2.72 (69)	8.86 (225)	6.34 (161)	7.40 (188)
2.50 (63.5)	63CY530AbC19	2.37 (60.2)	3.05 (77.5)	15.00 (381)	2.83 (72)	11.14 (283)	8.39 (213)	8.86 (225)
3.00 (76.2)	76CY530AbC19	2.87 (72.9)	3.58 (91)	16.22 (412)	3.15 (80)	12.01 (305)	8.46 (215)	9.65 (245)
4.00 (101.6)	102CY530M19	3.83 (97.4)	4.66 (119)	18.94 (481)	4.06 (103)	15.56 (395)	9.96 (253)	12.32 (313)