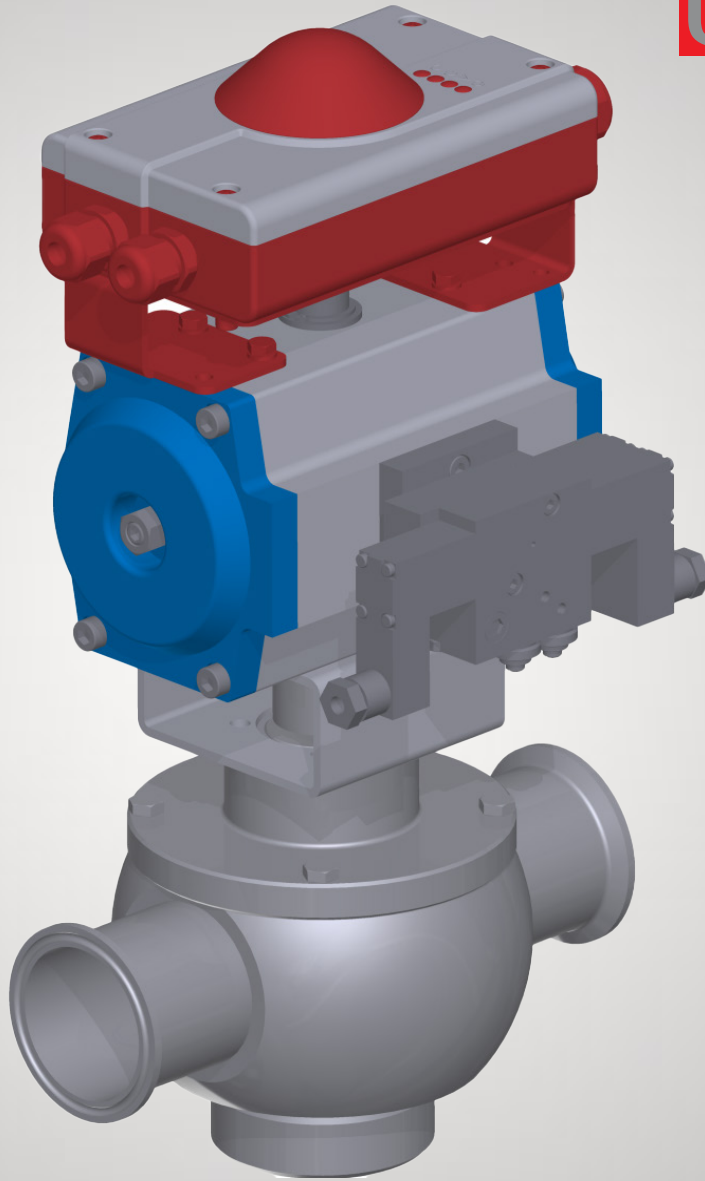


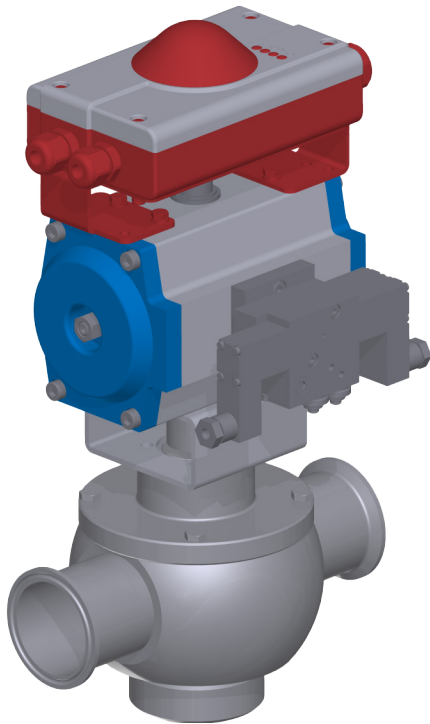
**LIAG**®  
USA



**LAUFER**  
Valve Technology Inc.

2-Way Control Arc Valve

# 2-Way Control Arc Valve



## Ideal for controlling sensitive media containing solid particles

On account of their favorable flow characteristic LIAG® free flow arc valves are particularly suited for pro-portioning viscous and pasty products. Depending on the product to be proportioned LIAG® control arc valves can be delivered with various shutter qualities and linearization inserts. Control is performed via a standard 4-20mA (0-10V) electropneumatic actuator. The control characteristic / rate of flow or the control range can be adapted to customer requirements.

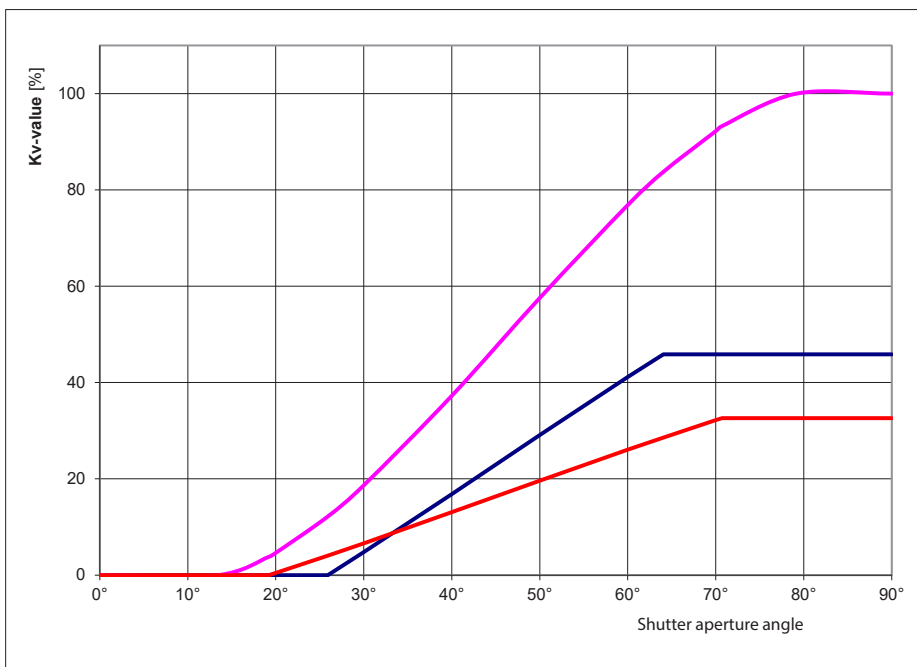
## Features

- No dead pockets
- CIP/SIP capability
- Product-saving proportioning
- No product remainders or sticking of solid particles
- Full linearization option of control characteristic
- Minimum number of components and wearing parts
- Can be completely dismantled even when welded in place
- 3-A 51-01 and FDA compliance
- Identical wearing and spare parts as shutter valves
- CRN



## Flow characteristic LIAG® control arc valve

Kv-value [%]



Outlet: Standard "full bore" ○

Outlet: Linearization insert "square" □

Outlet: Linearization insert "rectangle" ▭

# Technical Data Overview

## Nominal sizes

Inch: 1" / 1.5" / 2" / 2.5" / 3" / 4"  
DIN: 25 / 40 / 50 / 65 / 80 / 100

## Materials

Inox parts in contact with product: AISI 316L (1.4404 / 1.4435)  
Other inox parts: AISI 304 (1.4301)  
O-ring seals: EPDM, FKM (Viton®), FEP, other grades upon request  
Shutter: PTFE

## Surfaces

In contact with product:  $Ra \leq 0,8 \mu m$  ( $Ra \leq 32 \mu in$ )

## Temperature

Operating temperature: 230°F (110°C)  
Short-term: 284°F (140°C)  
- optionally up to 392°F (200°C)

## Operating pressure

Pressure behind arc: 145 psi (10 bar)  
- optionally up to 290,1 psi (20 bar)  
Pressure against arc: 43,5 psi (3 bar)

## Versions

2-way

## Actuator

Electro-pneumatic control unit consisting of:  
• Pneumatic actuator 0° - 90°  
• Positioner Positurn 4-20mA (0-10V), 24V DC, IP65

## Valve connection

Clamp connection: Tri-Clamp  
Welded ends: Inch, DIN  
Male ends: DIN 11851

## Further options / Certificates

- Linearization insert - mechanical adaptation of control characteristic
- Electric actuator with MOD positioner 4-20mA (0-10V), 220-240V, 50/60Hz / IP65 / 0°-90° (110V AC-version upon request)
- Shutter material; alternatively: Tecapeek®, PTFE+15% Peek
- Heated version
- Leakage control of moving O-ring seal / steam barrier with ball-bearing supported selector shaft
- 3-A 51-01 and FDA compliance
- CRN

LAUFER Valve Technology Inc., 2300 Walnut Ave, Suite Q-R, Signal Hill, CA 90755

T: +1.562.232.4777 - sales@laufer-valve.com - www.laufer-valve.com

