

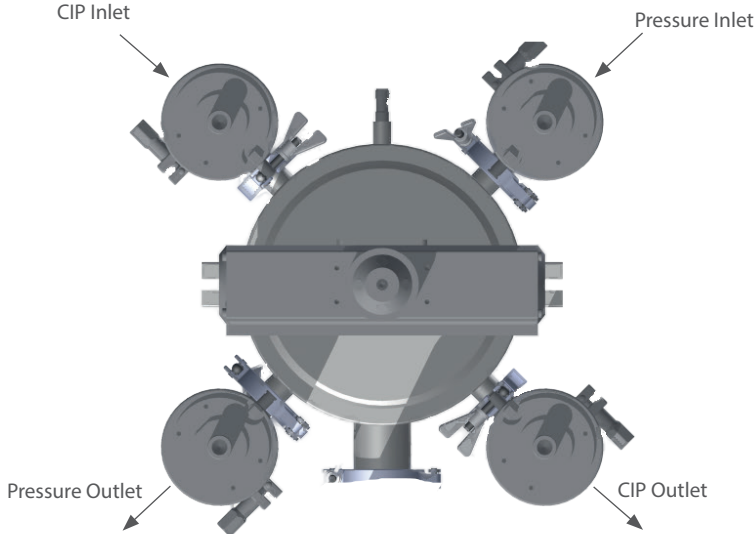
DMV Pigging System

Two-Way with Turning/Cleaning Stations

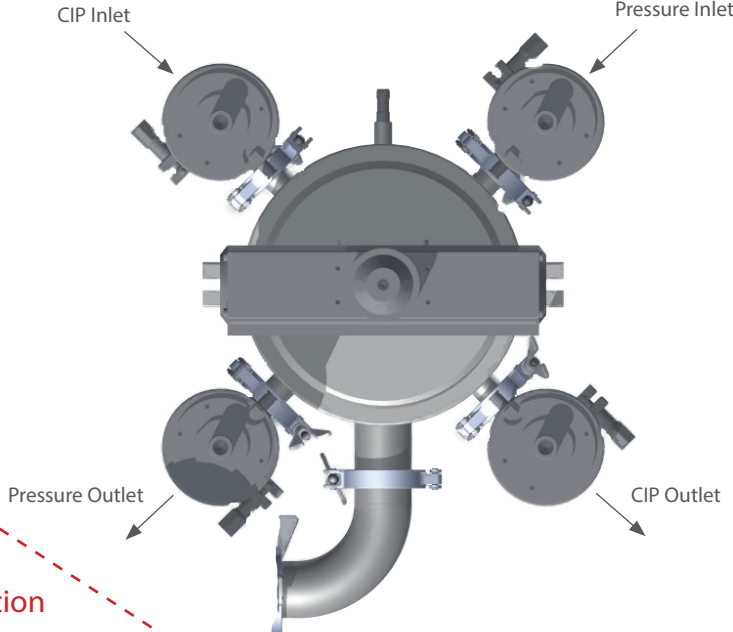
Automatic pig return using LIAG® Pig turning station (closed system CIP / SIP automated)



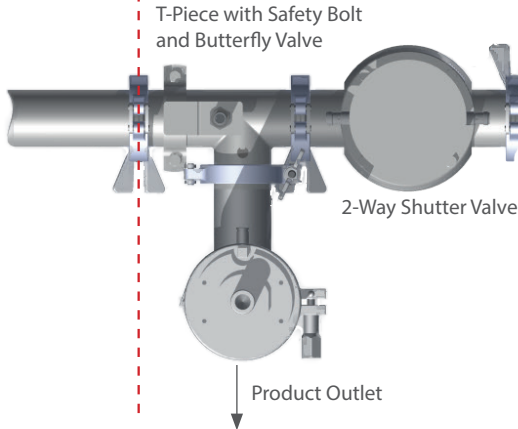
Pig Launching Turning Station



Pig Receiving Turning Station



Product Filling Station



Product Inlet

Documentation

